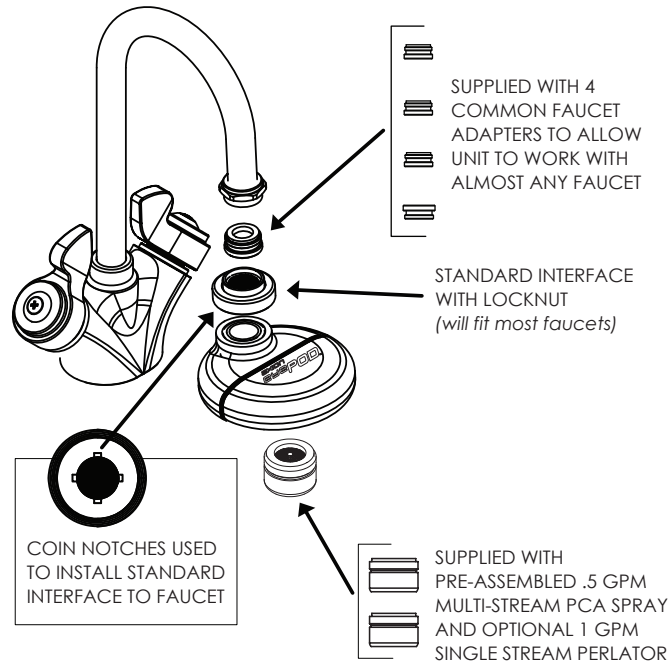


MODEL 7620

HAWS CORPORATION
1455 KLEPPE LANE, SPARKS, NV 89431
775.359.4712 +1.888.640.4297
www.axioneyepod.com



EASY INSTALLATION

1. REMOVE AERATOR FROM YOUR FAUCET.
2. CHOOSE AND INSTALL THE APPROPRIATE ADAPTER BY THREADING IT ON TO YOUR FAUCET, IF NECESSARY. (THE STANDARD INTERFACE ON THE eyePOD™ WILL FIT MOST FAUCETS).
3. REMOVE LOCKNUT AND STANDARD INTERFACE AND INSTALL THEM ON TO YOUR FAUCET TOGETHER USING COIN SLOTS. A QUARTER WORKS WELL.
4. THREAD THE LOCKNUT BACK ONTO THE eyePOD™ MAKING SURE THAT THE eyePOD™ IS POSITIONED FACING FORWARD (As shown in Faucet Mode).

NOTE: FAILURE TO INSTALL PROPERLY MAY AFFECT ITS PROPER FUNCTIONING.

INSTALLATION AND USE NOTES

1. THE eyePOD™ IS DESIGNED FOR AND SHOULD ONLY BE USED WITH WATER BETWEEN 60°F (15°C) AND 100°F (37°C). IF ABOVE 100°F (37°C) THE EYEWASH STREAMS WILL BE SHUT OFF BY INTERNAL THERMO-STATIC VALVE.

NOTE: USE OF THE PRODUCT WITH WATER OUTSIDE THE STATED TEMPERATURE RANGE MAY AFFECT ITS OPERATION AND RESULT IN A RISK OF SERIOUS BURNS OR REDUCE ITS EFFICIENCY.

2. THE eyePOD™ IS SELF DRAINING WHEN PLACED IN THE FAUCET MODE. IT SHOULD ALWAYS BE RETURNED TO THE FAUCET MODE AFTER EYEWASH USE TO ALLOW FOR DRAINAGE.

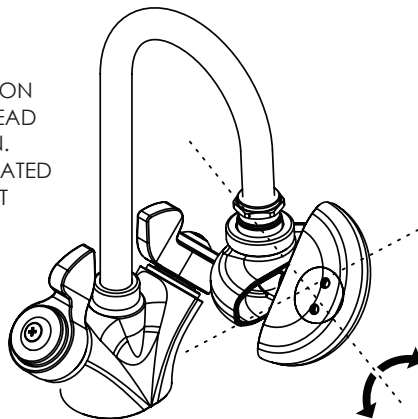
NOTE: WHEN INSTALLING THIS UNIT, LOCAL, STATE, OR FEDERAL CODES SHOULD BE ADHERED TO.

NOTE: ANSI Z358.1 COMPLIANT WHEN PROPERLY INSTALLED IN A WATER SYSTEM PROVIDING PROPER PRESSURE, VOLUME AND TEMPERATURE.

EASY TO USE ■ TURN ON FAUCET AND SELECT MODE OF OPERATION

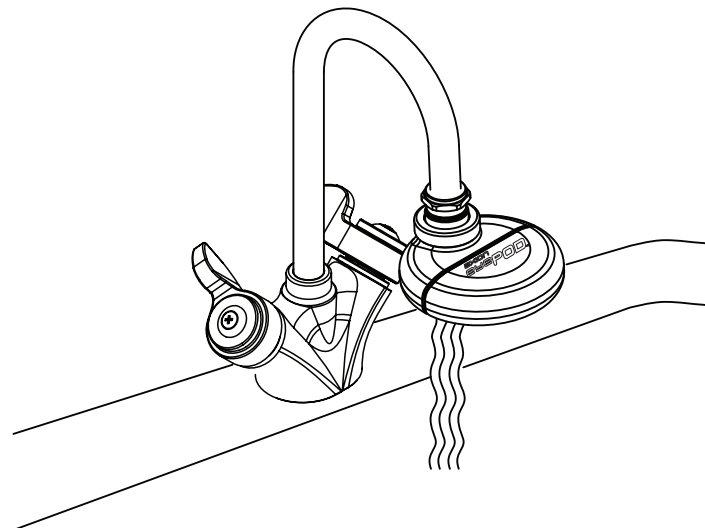
MODE SELECTION

THE eyePOD™ IS SWITCHED BETWEEN MODES OF OPERATION BY ROTATING THE HEAD IN EITHER DIRECTION. WATER IS STILL ACTUATED USING YOUR FAUCET CONTROLS.



ROTATE IN EITHER DIRECTION

FAUCET MODE



EYEWASH MODE

